

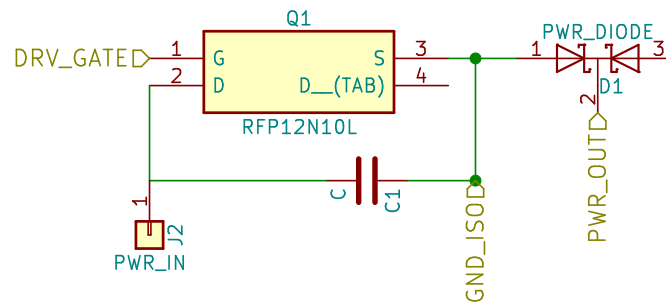
FOR REVIEW  
**Enertechnos Ltd**

Sheet: /  
 File: PsuPowerModule.sch

**Title: MLI Module Power Board**

Size: A4 Date: 2017-12-14  
 KiCad E.D.A. kicad 4.0.7

**Rev: Rev3.3**  
 Id: 1/5

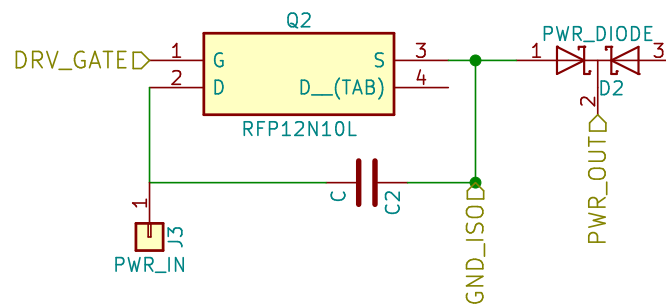


Sheet: /SinglePowerSwitch 1/  
 File: SinglePowerSwitch.sch

**Title:**

Size: User      Date:  
 KiCad E.D.A. kicad 4.0.7

**Rev:**  
 Id: 2/5

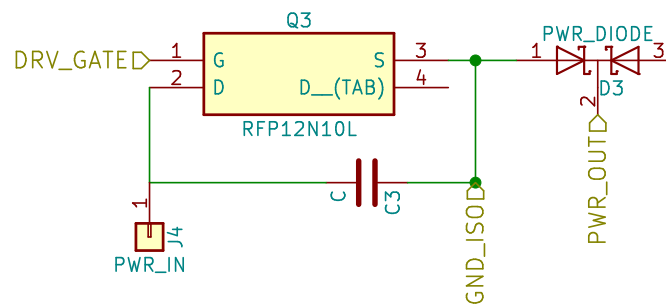


Sheet: /SinglePowerSwitch 2/  
 File: SinglePowerSwitch.sch

**Title:**

Size: User      Date:  
 KiCad E.D.A. kicad 4.0.7

**Rev:**  
 Id: 3/5

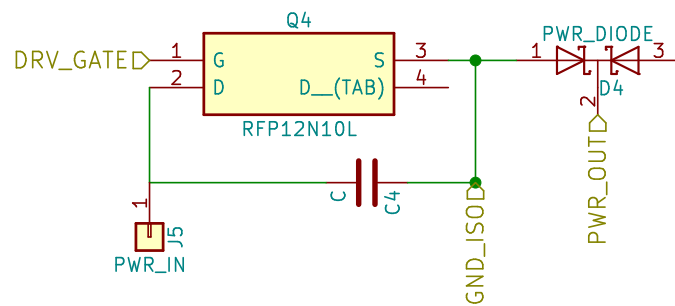


Sheet: /SinglePowerSwitch 3/  
 File: SinglePowerSwitch.sch

**Title:**

Size: User      Date:  
 KiCad E.D.A. kicad 4.0.7

**Rev:**  
 Id: 4/5



Sheet: /SinglePowerSwitch 4/  
 File: SinglePowerSwitch.sch

**Title:**

Size: User      Date:  
 KiCad E.D.A. kicad 4.0.7

**Rev:**  
 Id: 5/5