

FOR REVIEW

Enertechnos Ltd

Sheet: /VoltMeter4/

File: VoltMeter.sch

Title: Fuseboard with Voltage metering

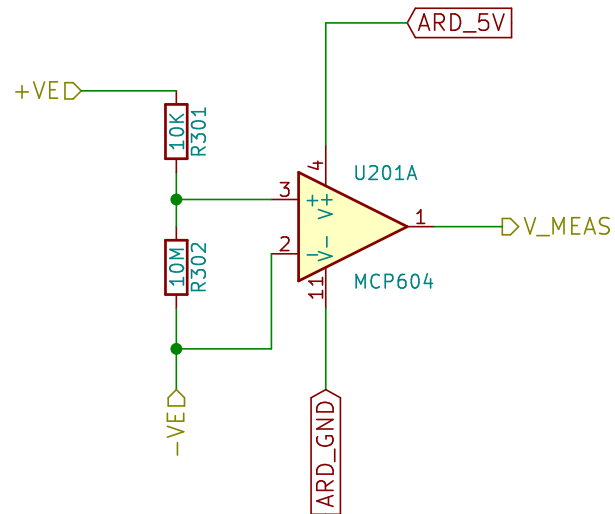
Size: User

Date: 2017-12-14

Rev: Rev3.3

KiCad E.D.A. kicad 4.0.7

Id: 2/9



FOR REVIEW

Enertechnos Ltd

Sheet: /VoltMeter3/

File: VoltMeter.sch

Title: Fuseboard with Voltage metering

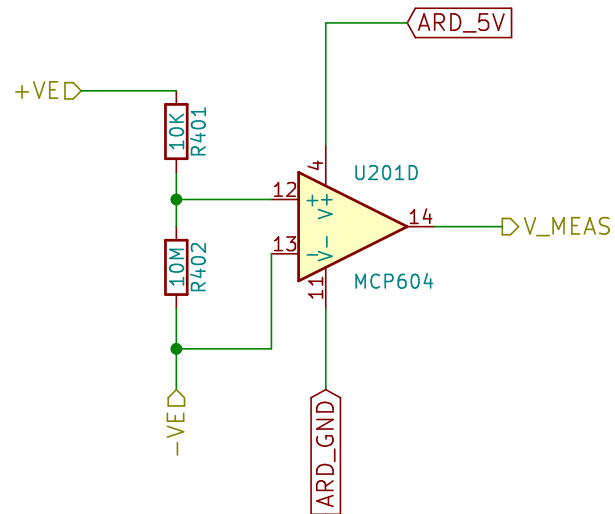
Size: User

Date: 2017-12-14

Rev: Rev3.3

KiCad E.D.A. kicad 4.0.7

Id: 3/9



FOR REVIEW

Enertechnos Ltd

Sheet: /VoltMeter2/

File: VoltMeter.sch

Title: Fuseboard with Voltage metering

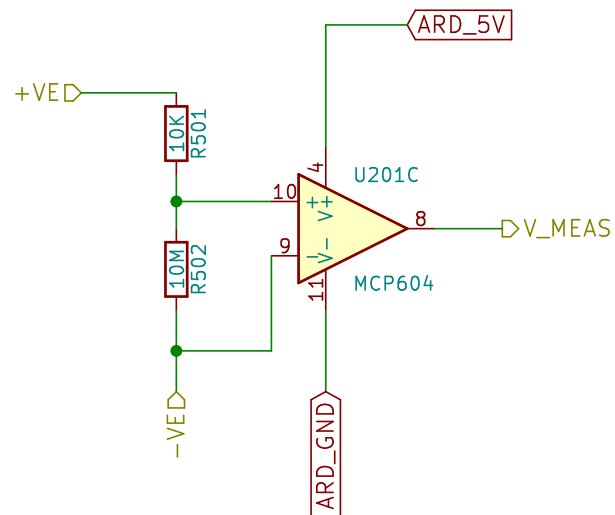
Size: User

Date: 2017-12-14

Rev: Rev3.3

KiCad E.D.A. kicad 4.0.7

Id: 4/9



FOR REVIEW

Enertechnos Ltd

Sheet: /VoltMeter1/

File: VoltMeter.sch

Title: Fuseboard with Voltage metering

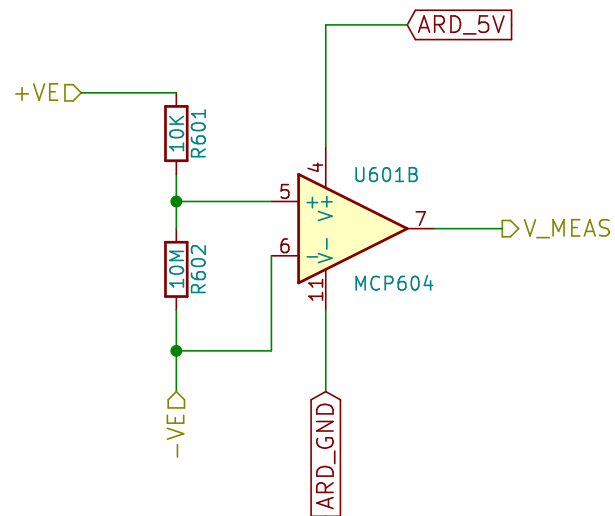
Size: User

Date: 2017-12-14

Rev: Rev3.3

KiCad E.D.A. kicad 4.0.7

Id: 5/9



FOR REVIEW

Enertechnos Ltd

Sheet: /VoltMeter8/

File: VoltMeter.sch

Title: Fuseboard with Voltage metering

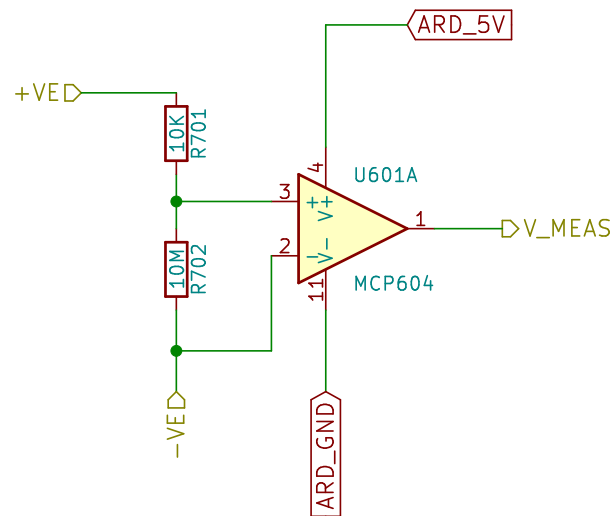
Size: User

Date: 2017-12-14

Rev: Rev3.3

KiCad E.D.A. kicad 4.0.7

Id: 6/9



FOR REVIEW

Enertechnos Ltd

Sheet: /VoltMeter7/

File: VoltMeter.sch

Title: Fuseboard with Voltage metering

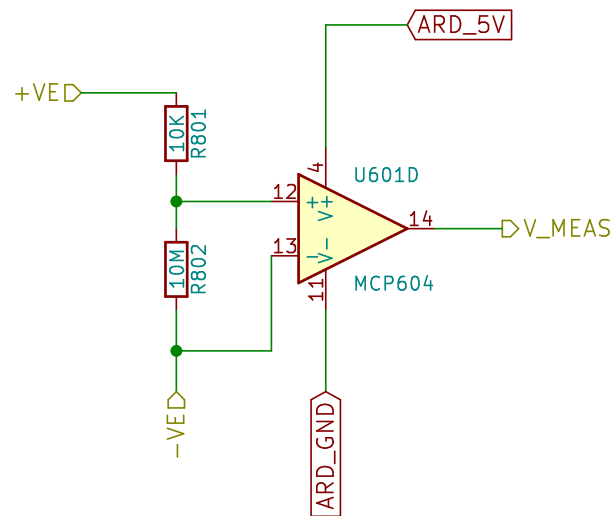
Size: User

Date: 2017-12-14

Rev: Rev3.3

KiCad E.D.A. kicad 4.0.7

Id: 7/9



FOR REVIEW

Enertechnos Ltd

Sheet: /VoltMeter6/

File: VoltMeter.sch

Title: Fuseboard with Voltage metering

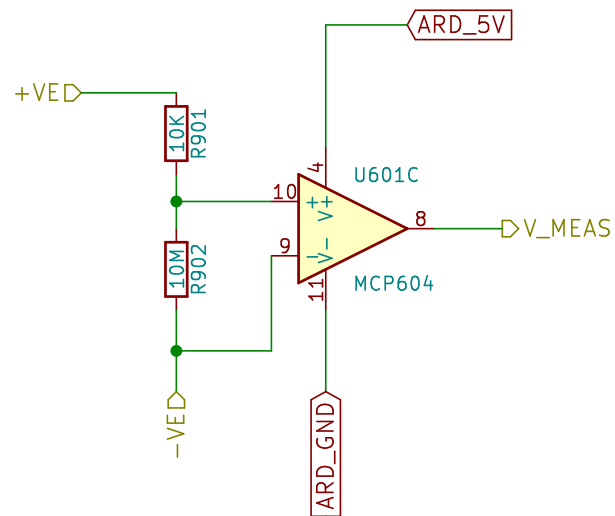
Size: User

Date: 2017-12-14

Rev: Rev3.3

KiCad E.D.A. kicad 4.0.7

Id: 8/9



FOR REVIEW

Enertechnos Ltd

Sheet: /VoltMeter5/

File: VoltMeter.sch

Title: Fuseboard with Voltage metering

Size: User

Date: 2017-12-14

Rev: Rev3.3

KiCad E.D.A. kicad 4.0.7

Id: 9/9