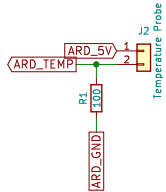
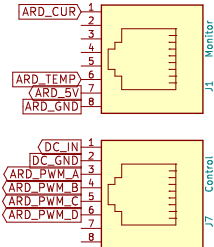
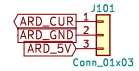
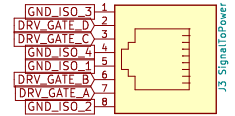
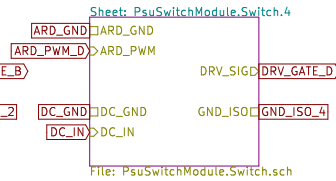
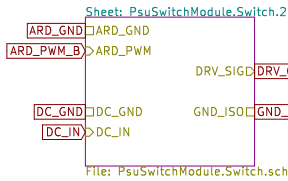
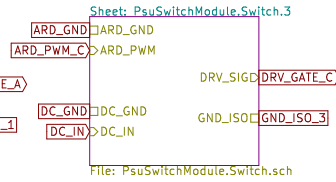
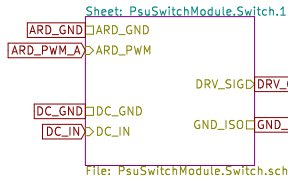


In the event there are 2 arduinos on the control board (one for driving, the other for monitoring) the runs for each should be kept on separate RJ45s for clarity.



The resistance is matched to the R value of the attached thermistor



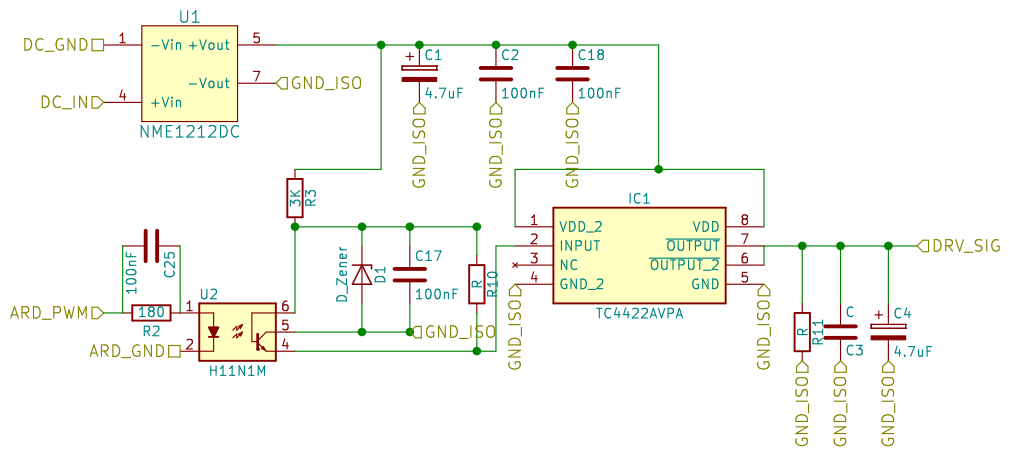
FOR REVIEW  
Enertechnos Ltd

Sheet: /  
File: PsuSwitchModule.sch

**Title: Power Module (Control Board)**

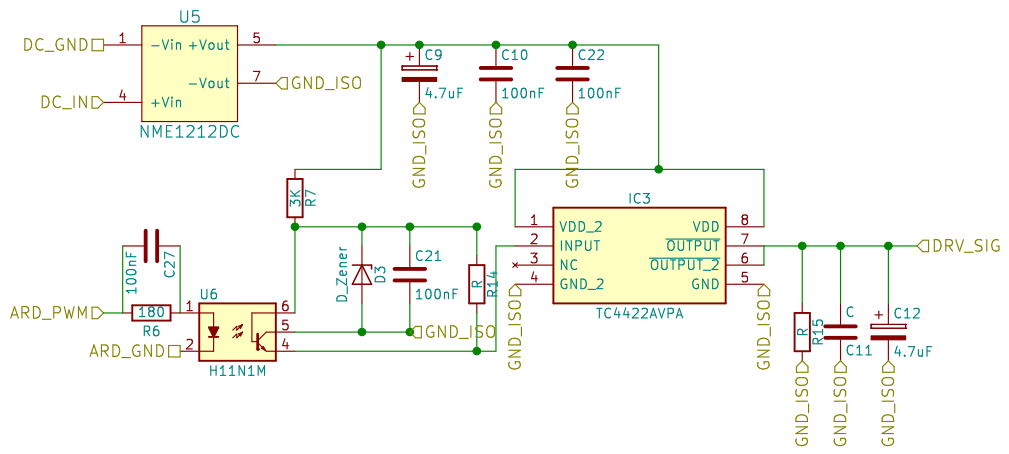
Size: A4 Date: 2017-12-14  
KiCad E.D.A. kicad 4.0.7

Rev: Rev3.3  
Id: 1/5

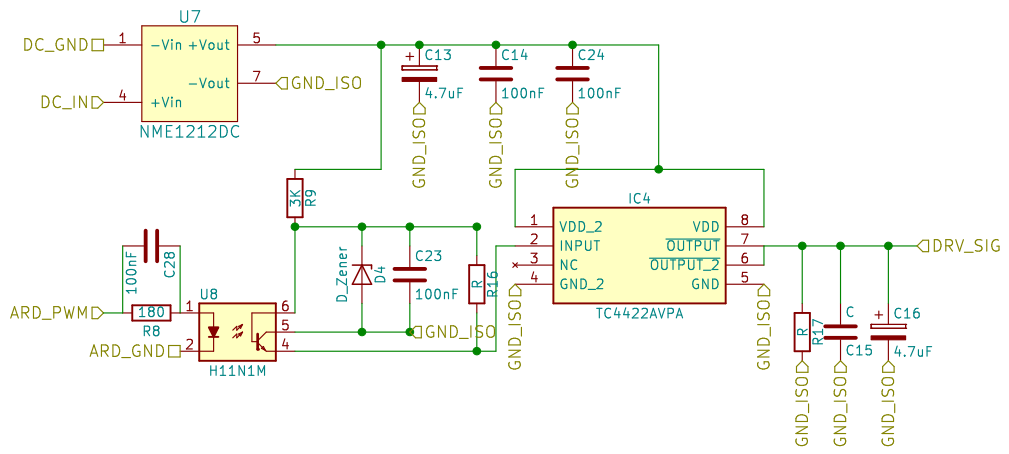


FOR REVIEW	
<b>Enertechnos Ltd</b>	
Sheet: /PsuSwitchModule.Switch.1/	
File: PsuSwitchModule.Switch.sch	
<b>Title: Power Module (Control Board)</b>	
Size: User	Date: 2017-12-14
KiCad E.D.A.	kiCad 4.0.7
<b>Rev: Rev3.3</b>	
Id: 2/5	





FOR REVIEW	
<b>Enertechnos Ltd</b>	
Sheet: /PsuSwitchModule.Switch.3/	
File: PsuSwitchModule.Switch.sch	
<b>Title: Power Module (Control Board)</b>	
Size: User	Date: 2017-12-14
KiCad E.D.A.	kiCad 4.0.7
<b>Rev: Rev3.3</b>	
Id: 4/5	



FOR REVIEW	
<b>Enertechnos Ltd</b>	
Sheet: /PsuSwitchModule.Switch.4/	
File: PsuSwitchModule.Switch.sch	
<b>Title: Power Module (Control Board)</b>	
Size: User	Date: 2017-12-14
KiCad E.D.A.	kiCad 4.0.7
<b>Rev: Rev3.3</b>	
Id: 5/5	