

FOR REVIEW – NOT APPROVED

Enertechnos Ltd.

Sheet: /

File: BreakoutBoard.sch

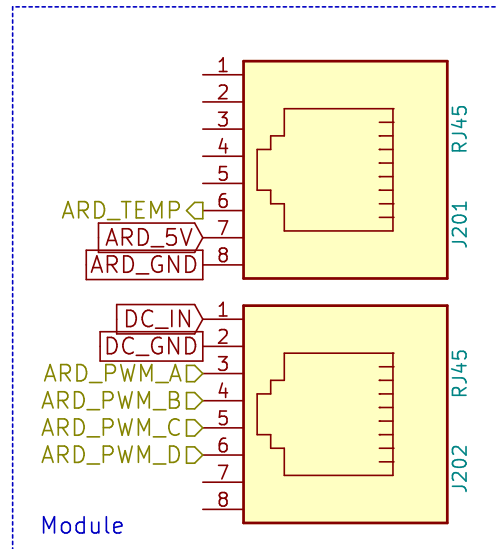
Title: Breakout Board

Size: A4 Date: 2017-12-14

KiCad E.D.A. kicad 4.0.7

Rev: Rev3.3

Id: 1/10



For approval by Mansour

FOR REVIEW – NOT APPROVED

Enertechnos Ltd.

Sheet: /H-Bridge/

File: Module.sch

Title: Breakout Board

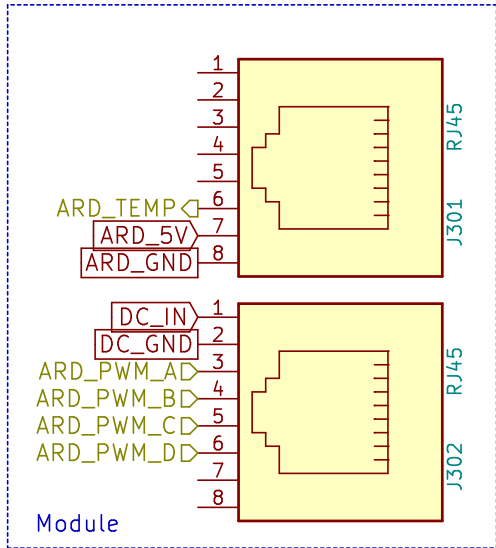
Size: User

Date: 2017-12-14

Rev: Rev3.3

KiCad E.D.A. kicad 4.0.7

Id: 2/10



For approval by Mansour

FOR REVIEW – NOT APPROVED

Enertechnos Ltd.

Sheet: /Module A/

File: Module.sch

Title: Breakout Board

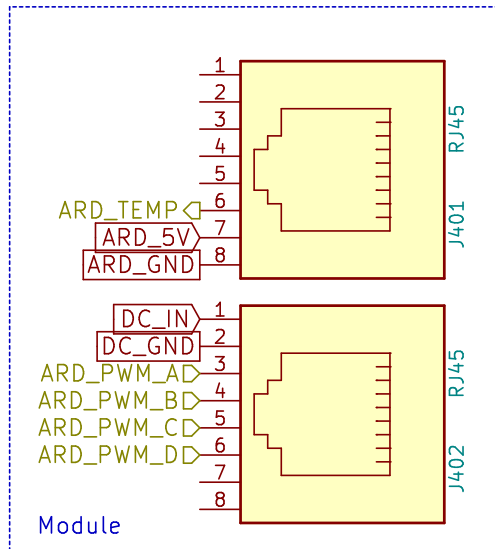
Size: User

Date: 2017-12-14

Rev: Rev3.3

KiCad E.D.A. kicad 4.0.7

Id: 3/10



For approval by Mansour

FOR REVIEW – NOT APPROVED

Enertechnos Ltd.

Sheet: /Module B/

File: Module.sch

Title: Breakout Board

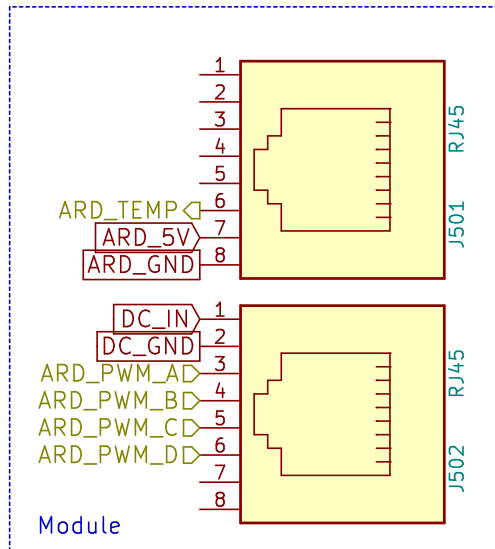
Size: User

Date: 2017-12-14

Rev: Rev3.3

KiCad E.D.A. kicad 4.0.7

Id: 4/10



For approval by Mansour

FOR REVIEW – NOT APPROVED

Enertechnos Ltd.

Sheet: /Module C/

File: Module.sch

Title: Breakout Board

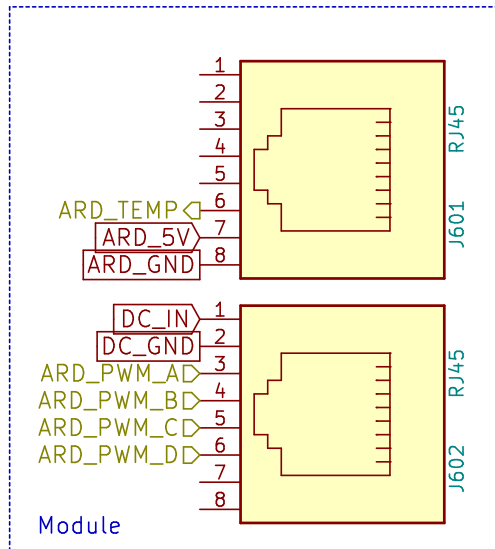
Size: User

Date: 2017-12-14

Rev: Rev3.3

KiCad E.D.A. kicad 4.0.7

Id: 5/10



For approval by Mansour

FOR REVIEW – NOT APPROVED

Enertechnos Ltd.

Sheet: /Module D/

File: Module.sch

Title: Breakout Board

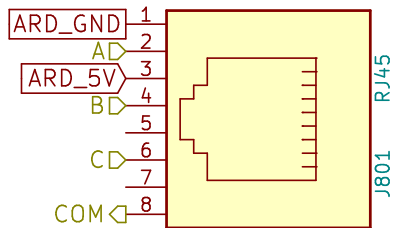
Size: User

Date: 2017-12-14

Rev: Rev3.3

KiCad E.D.A. kicad 4.0.7

Id: 6/10



FOR REVIEW – NOT APPROVED

Enertechnos Ltd.

Sheet: /Fuse Board 1/

File: FuseBoardConnection.sch

Title: Breakout Board

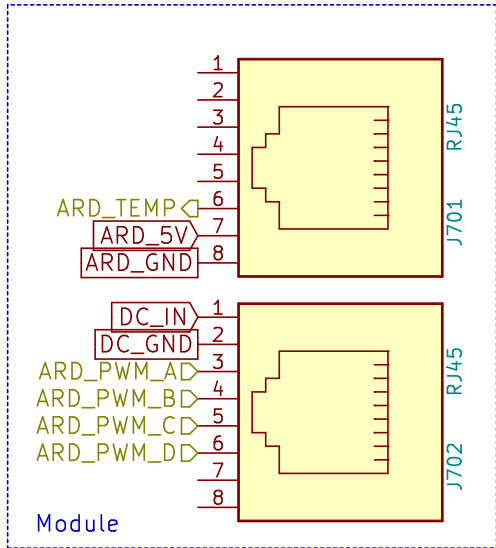
Size: User

Date: 2017-12-14

Rev: Rev3.3

KiCad E.D.A. kicad 4.0.7

Id: 7/10



For approval by Mansour

FOR REVIEW – NOT APPROVED

Enertechnos Ltd.

Sheet: /Module E/

File: Module.sch

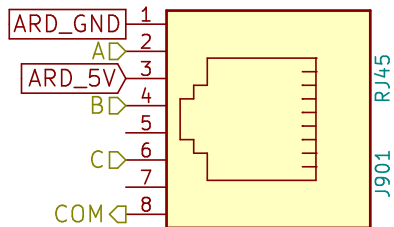
Title: Breakout Board

Size: User Date: 2017-12-14

Rev: Rev3.3

KiCad E.D.A. kicad 4.0.7

Id: 8/10



FOR REVIEW – NOT APPROVED

Enertechnos Ltd.

Sheet: /Fuse Board 2/

File: FuseBoardConnection.sch

Title: Breakout Board

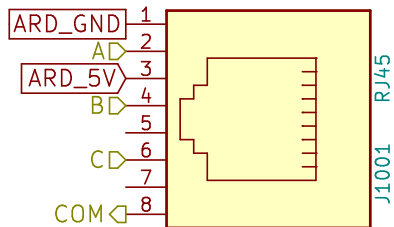
Size: User

Date: 2017-12-14

Rev: Rev3.3

KiCad E.D.A. kicad 4.0.7

Id: 9/10



FOR REVIEW – NOT APPROVED

Enertechnos Ltd.

Sheet: /Fuse Board 3/

File: FuseBoardConnection.sch

Title: Breakout Board

Size: User

Date: 2017-12-14

Rev: Rev3.3

KiCad E.D.A. kicad 4.0.7

Id: 10/10