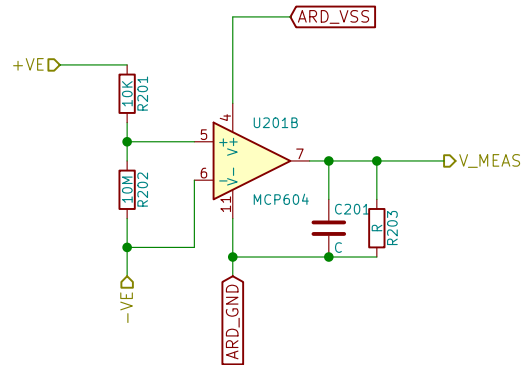


FOR REVIEW
Enertechnos Ltd
 Sheet: /
 File: Fuseboard.sch

Title: Fuseboard with Voltage metering

Size: A4	Date: 2017-12-14	Rev: Release 0.1
KiCad E.D.A. kicad 4.0.7		Id: 1/9



FOR REVIEW

Enertechnos Ltd

Sheet: /VoltMeter4/

File: VoltMeter.sch

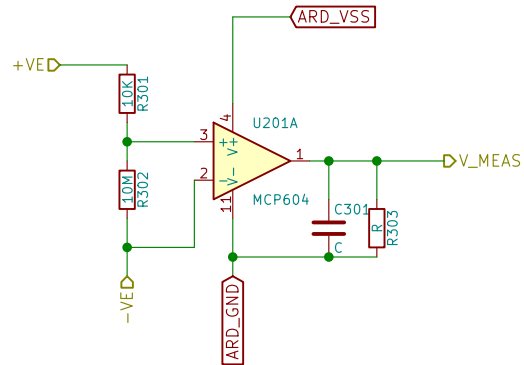
Title: Fuseboard with Voltage metering

Size: User Date: 2017-12-14

KiCad E.D.A. kicad 4.0.7

Rev: Release 0.1

Id: 2/9



FOR REVIEW

Enertechnos Ltd

Sheet: /VoltMeter3/

File: VoltMeter.sch

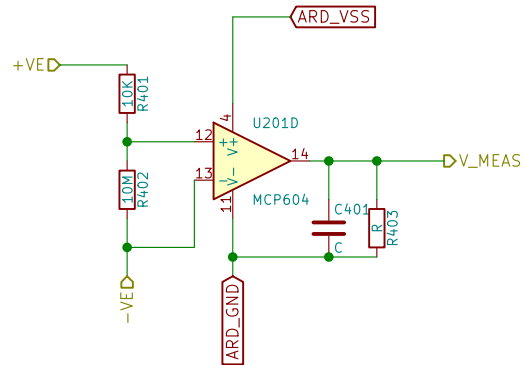
Title: Fuseboard with Voltage metering

Size: User Date: 2017-12-14

KiCad E.D.A. kicad 4.0.7

Rev: Release 0.1

Id: 3/9



FOR REVIEW

Enertechnos Ltd

Sheet: /VoltMeter2/

File: VoltMeter.sch

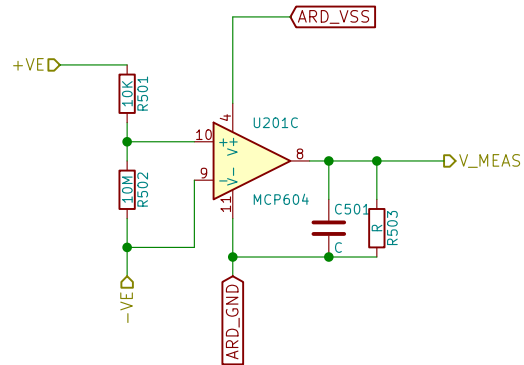
Title: Fuseboard with Voltage metering

Size: User Date: 2017-12-14

KiCad E.D.A. kicad 4.0.7

Rev: Release 0.1

Id: 4/9



FOR REVIEW

Enertechnos Ltd

Sheet: /VoltMeter1/

File: VoltMeter.sch

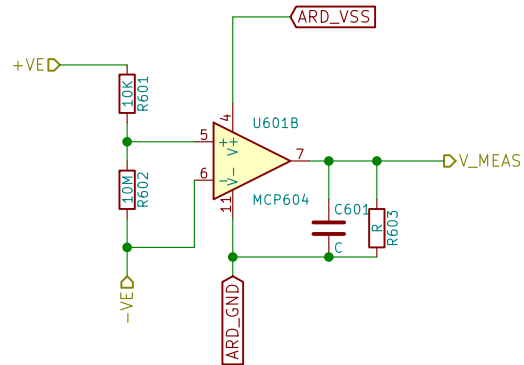
Title: Fuseboard with Voltage metering

Size: User Date: 2017-12-14

KiCad E.D.A. kicad 4.0.7

Rev: Release 0.1

Id: 5/9



FOR REVIEW

Enertechnos Ltd

Sheet: /VoltMeter8/

File: VoltMeter.sch

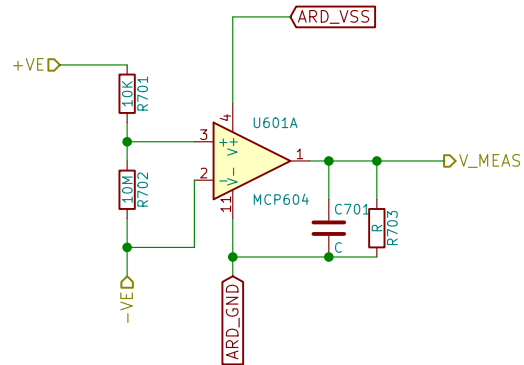
Title: Fuseboard with Voltage metering

Size: User Date: 2017-12-14

KiCad E.D.A. kicad 4.0.7

Rev: Release 0.1

Id: 6/9



FOR REVIEW

Enertechnos Ltd

Sheet: /VoltMeter7/

File: VoltMeter.sch

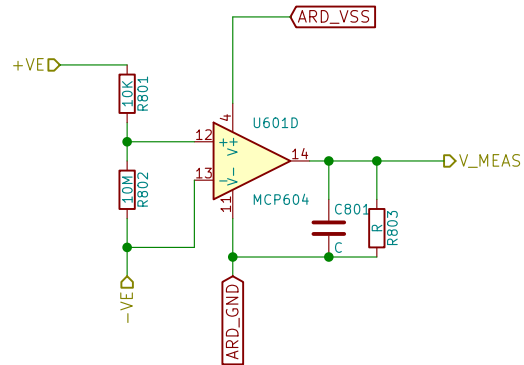
Title: Fuseboard with Voltage metering

Size: User Date: 2017-12-14

KiCad E.D.A. kicad 4.0.7

Rev: Release 0.1

Id: 7/9



FOR REVIEW

Enertechnos Ltd

Sheet: /VoltMeter6/

File: VoltMeter.sch

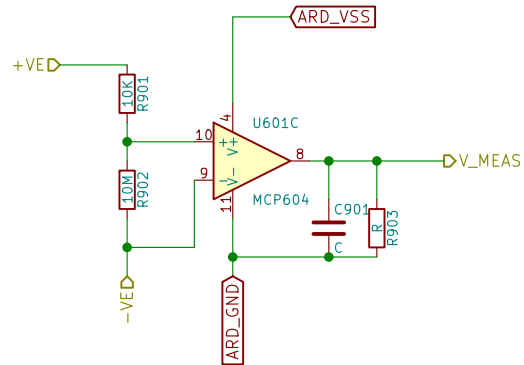
Title: Fuseboard with Voltage metering

Size: User Date: 2017-12-14

KiCad E.D.A. kicad 4.0.7

Rev: Release 0.1

Id: 8/9



FOR REVIEW

Enertechnos Ltd

Sheet: /VoltMeter5/

File: VoltMeter.sch

Title: Fuseboard with Voltage metering

Size: User Date: 2017-12-14

KiCad E.D.A. kicad 4.0.7

Rev: Release 0.1

Id: 9/9