

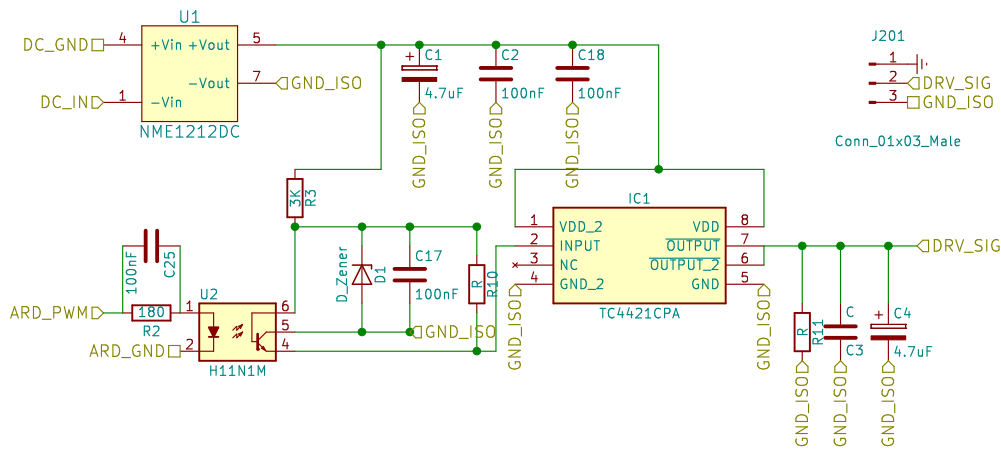
FOR APPROVAL  
**Enertechnos Ltd**

Sheet: /  
 File: PsuSwitchModule.sch

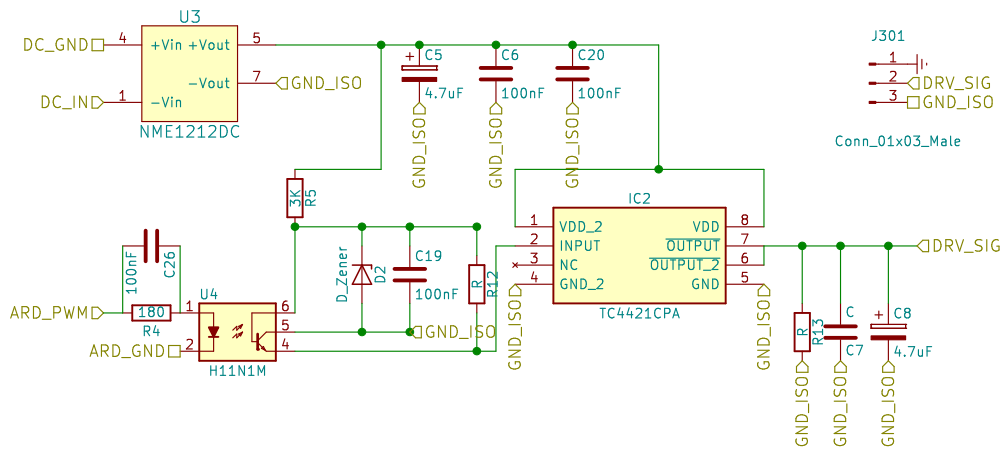
**Title: Power Module (Control Board)**

Size: A4 Date: 2018-03-13  
 KiCad E.D.A. kicad 4.0.7

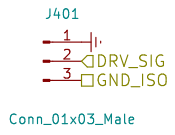
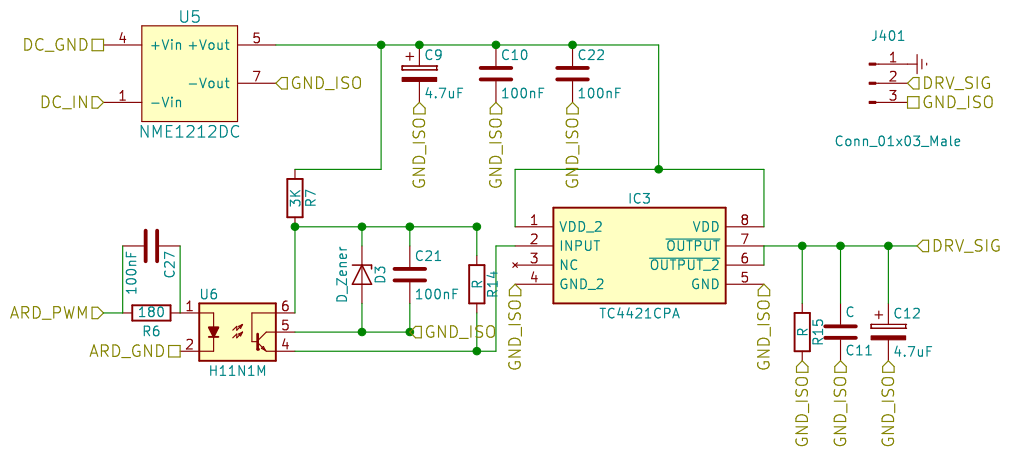
Rev: Release 0.2  
 Id: 1/5



FOR APPROVAL	
<b>Enertechnos Ltd</b>	
Sheet: /PsuSwitchModule.Switch.1/	
File: PsuSwitchModule.Switch.sch	
<b>Title: Power Module (Control Board)</b>	
Size: User	Date: 2018-03-13
KiCad E.D.A.	kidcad 4.0.7
<b>Rev: Release 0.2</b>	
Id: 2/5	



FOR APPROVAL	
<b>Enertechnos Ltd</b>	
Sheet: /PsuSwitchModule.Switch.2/	
File: PsuSwitchModule.Switch.sch	
<b>Title: Power Module (Control Board)</b>	
Size: User	Date: 2018-03-13
KiCad E.D.A.	kidcad 4.0.7
<b>Rev: Release 0.2</b>	
Id: 3/5	



FOR APPROVAL	
<b>Enertechnos Ltd</b>	
Sheet: /PsuSwitchModule.Switch.3/	
File: PsuSwitchModule.Switch.sch	
<b>Title: Power Module (Control Board)</b>	
Size: User	Date: 2018-03-13
KiCad E.D.A.	kid 4.0.7
<b>Rev: Release 0.2</b>	
Id: 4/5	

