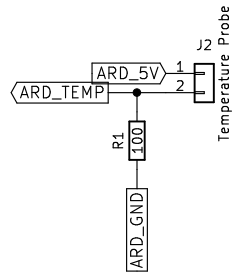
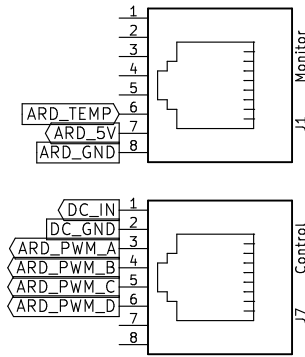
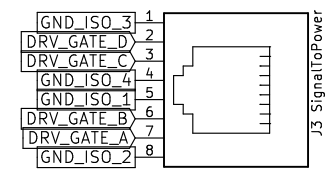
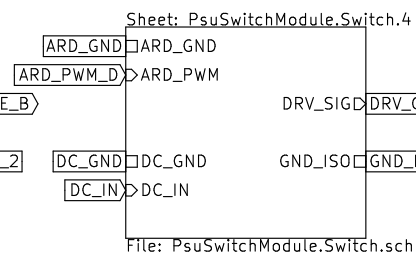
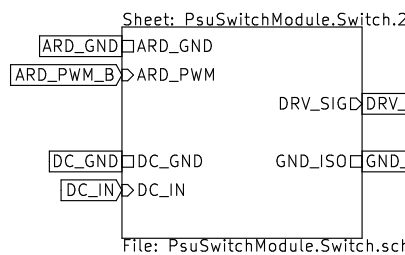
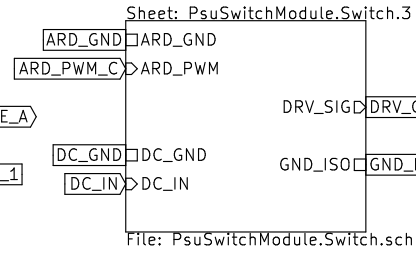
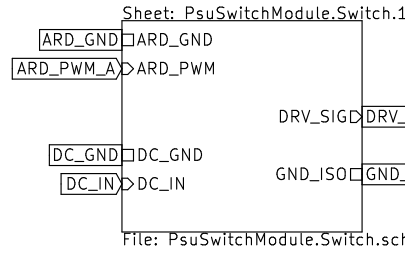


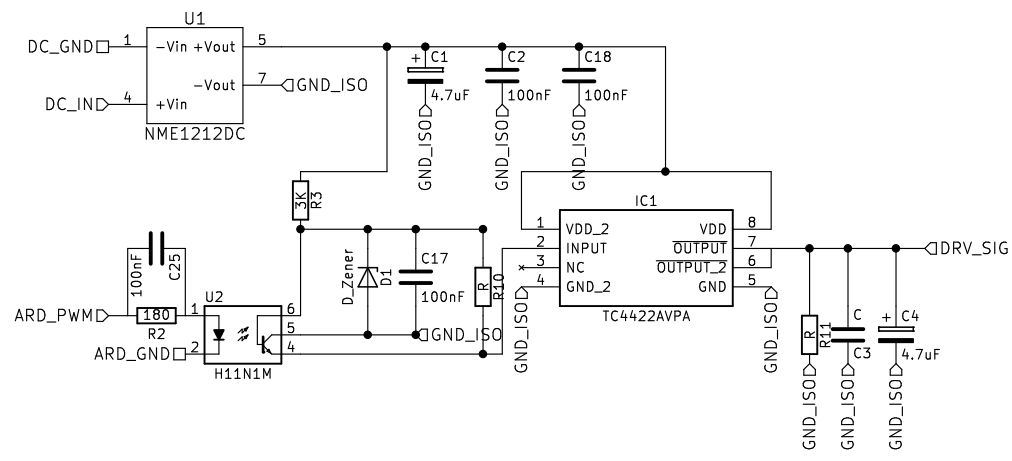
In the event there are 2 arduinos on the control board (one for driving, the other for monitoring) the runs for each should be kept on separate RJ45s for clarity.



The resistance is matched to the R value of the attached thermistor



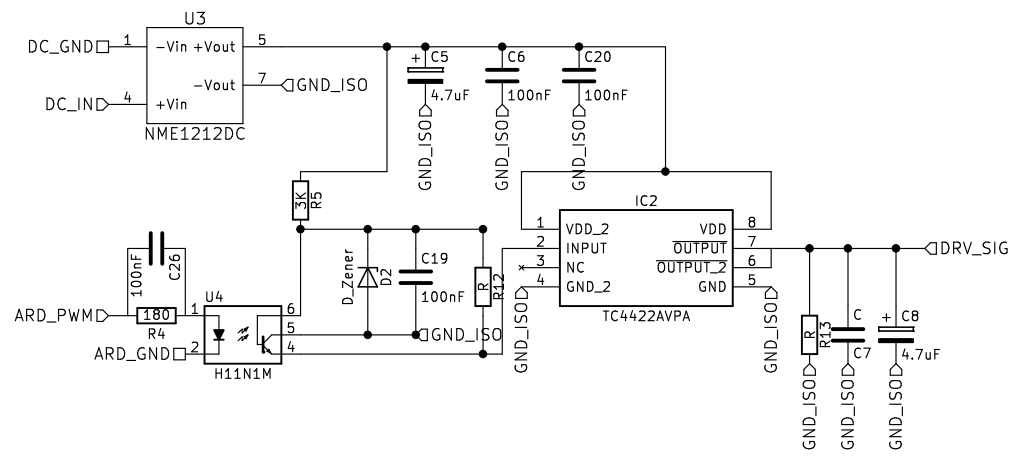
Needs final review by Mansour Updated with corrections Enertechnos Ltd	
Sheet: / File: PsuSwitchModule.sch	
Title: Power Module (Control Board)	
Size: A4	Date: 2017-12-11
KiCad E.D.A. kicad 4.0.7	Rev: Rev3.1 Id: 1/5



Needs final review by Mansour
 Updated with corrections
Enertechnos Ltd
 Sheet: /PsuSwitchModule.Switch.1/
 File: PsuSwitchModule.Switch.sch

Title: Power Module (Control Board)

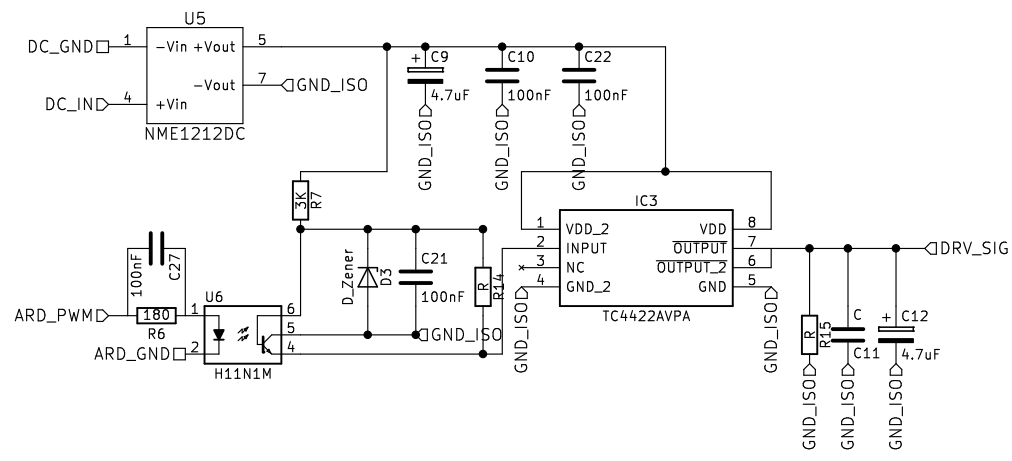
Size: A4	Date: 2017-12-11	Rev: Rev3.1
KiCad E.D.A. kicad 4.0.7		Id: 2/5



Needs final review by Mansour
 Updated with corrections
Enertechnos Ltd
 Sheet: /PsuSwitchModule.Switch.2/
 File: PsuSwitchModule.Switch.sch

Title: Power Module (Control Board)

Size: A4	Date: 2017-12-11	Rev: Rev3.1
KiCad E.D.A. kicad 4.0.7		Id: 3/5



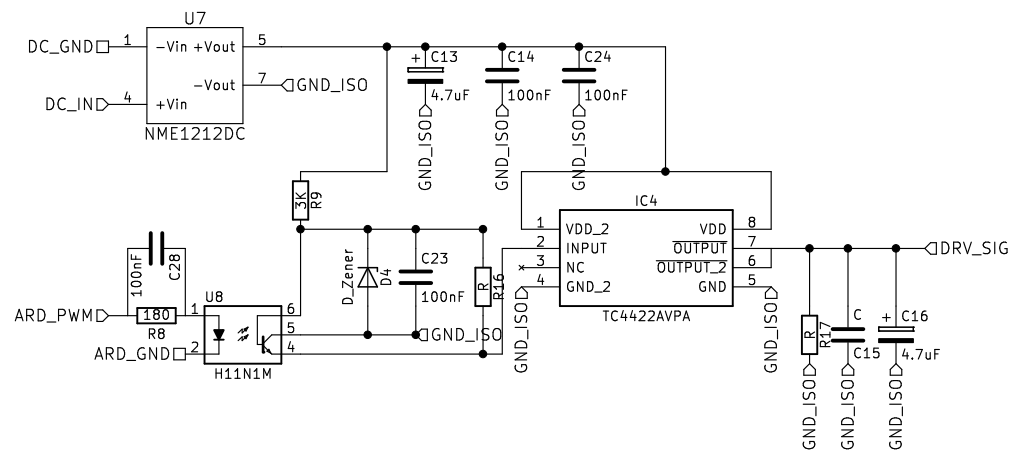
Needs final review by Mansour
 Updated with corrections

Enertechnos Ltd

Sheet: /PsuSwitchModule.Switch.3/
 File: PsuSwitchModule.Switch.sch

Title: Power Module (Control Board)

Size: A4	Date: 2017-12-11	Rev: Rev3.1
KiCad E.D.A. kicad 4.0.7		Id: 4/5



Needs final review by Mansour
Updated with corrections
Enertechnos Ltd
Sheet: /PsuSwitchModule.Switch.4/
File: PsuSwitchModule.Switch.sch

Title: Power Module (Control Board)

Size: A4	Date: 2017-12-11	Rev: Rev3.1
KiCad E.D.A. kicad 4.0.7		Id: 5/5