

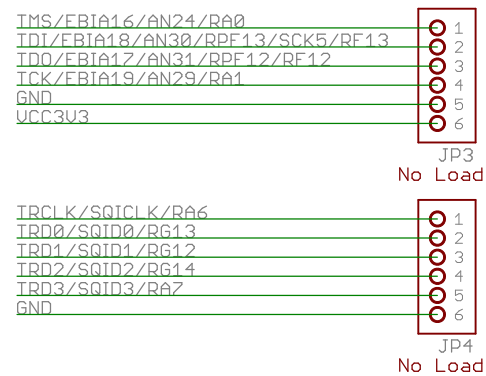
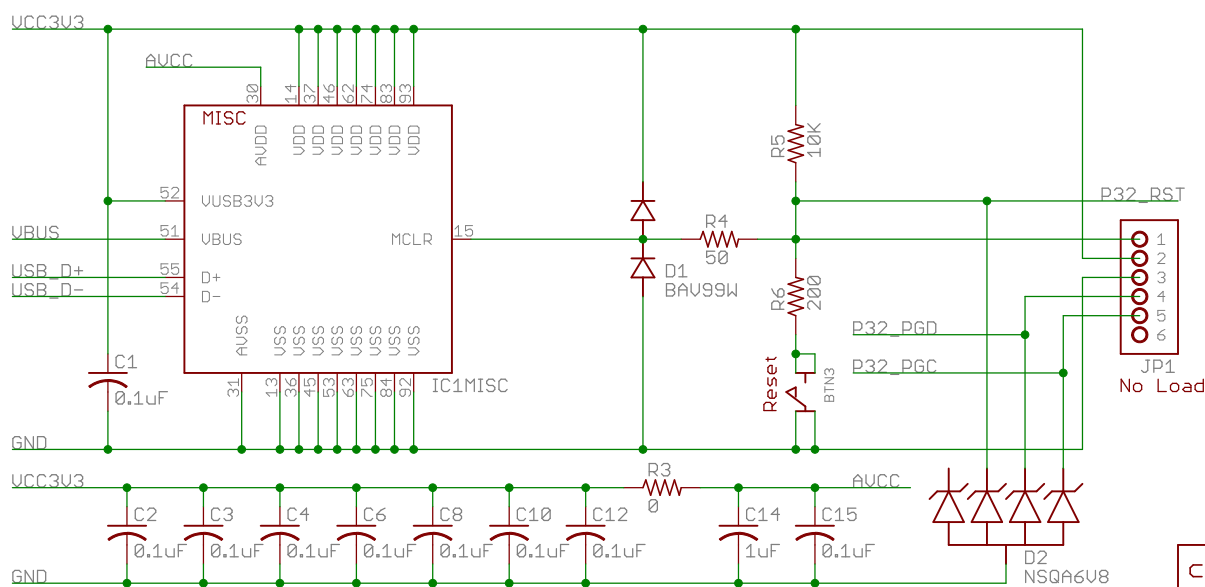
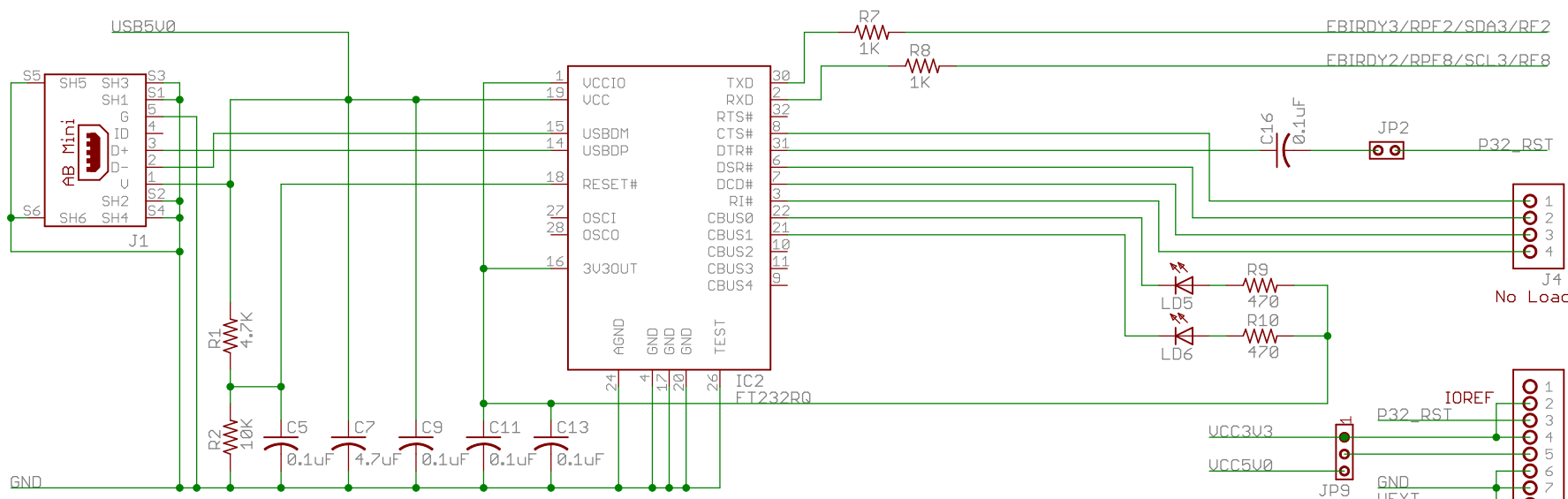
chipKIT™ WiFire Reference Design

Digilent chipKIT hardware files are licensed under the Creative Commons Attribution-ShareAlike license. This license allows for both personal and commercial derivative works, as long as proper credit is given to Digilent and the designs are released under the same license.

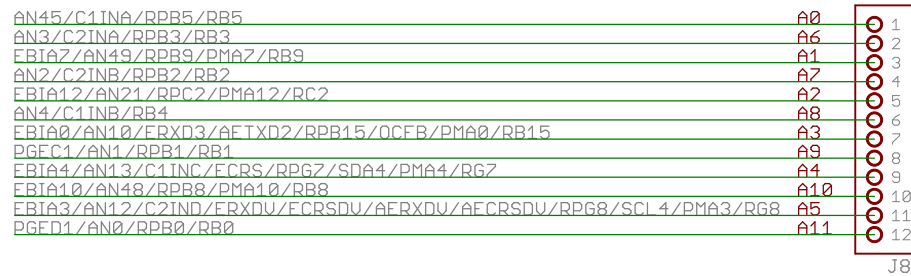
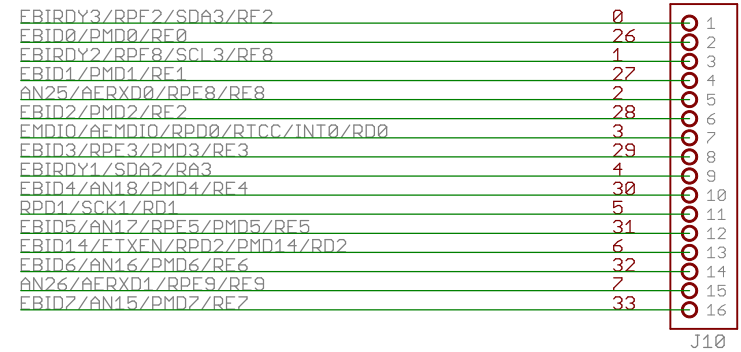
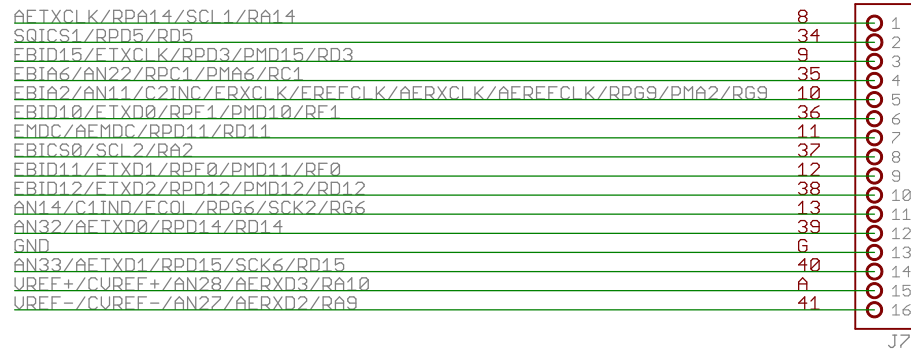
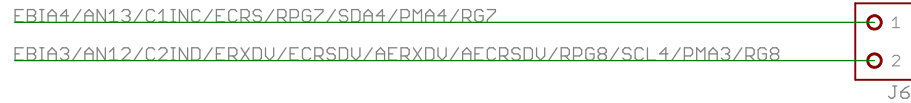
www.creativecommons.org/licenses/by-sa/3.0/

Reference designs are provided "AS IS" and "WITH ALL FAULTS". Digilent disclaims all other warranties express or implied, regarding this product, including but not limited to, any implied warranties of merchantability or fitness for any particular application. Digilent may make changes to specifications and product descriptions at any time, without notice.

chipKIT WiFire		Engineer: KRU
Copyright 2014, Digilent Inc.		Author: CLG/KRU
SHEET: License		Rev: B.0
TITLE: chipKIT WiFire		Sheet: 1/7
Doc#: 500-273	Date: 03/18/2014	



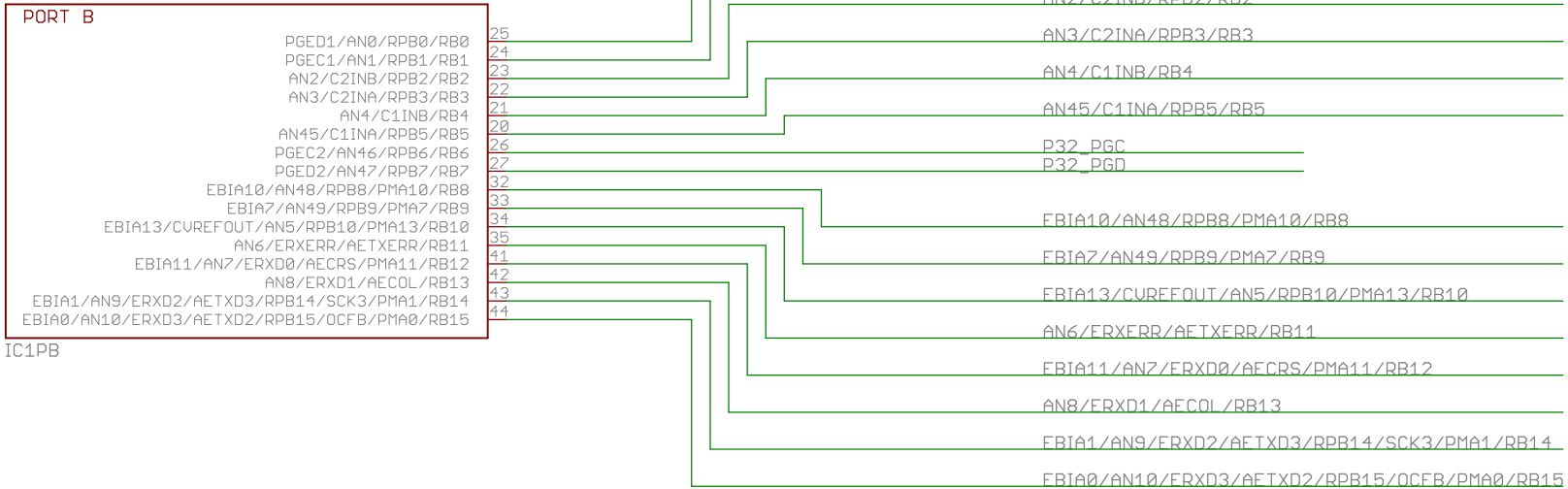
chipKIT WiFire		Engineer: KRU
Copyright 2014, Digilent Inc.		Author: CLG/KRU
SHEET: ICSP, USB Serial		Rev: B.0
TITLE: chipKIT WiFire		Doc#: 500-302
Date: 03/18/2014		Sheet: 2/7



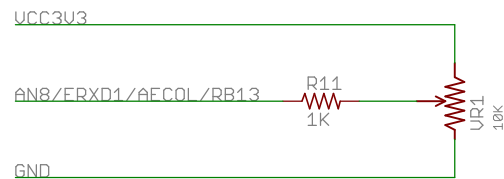
chipKIT WiFire		Engineer: KRU
Copyright 2014, Digilent Inc.		Author: CLG/KRU
SHEET: chipKIT I/O connectors		Rev: B.0
TITLE: chipKIT WiFire		Date: 03/18/2014
Doc#: 500-302	Date: 03/18/2014	Sheet: 3/7

PORT A		
TMS/EBIA16/AN24/RA0	17	TMS/EBIA16/AN24/RA0
TCK/EBIA19/AN29/RA1	38	TCK/EBIA19/AN29/RA1
EBICS0/SCL2/RA2	59	EBICS0/SCL2/RA2
EBIRDY1/SDA2/RA3	60	EBIRDY1/SDA2/RA3
EBIA14/PMCS1/PMA14/RA4	61	EBIA14/PMCS1/PMA14/RA4
EBIA5/AN34/PMA5/RA5	2	EBIA5/AN34/PMA5/RA5
TRCLK/SQICLK/RA6	89	TRCLK/SQICLK/RA6
TRD3/SQID3/RA7	90	TRD3/SQID3/RA7
UREF-/CUREF-/AN27/AERXD2/RA9	28	UREF-/CUREF-/AN27/AERXD2/RA9
UREF+/CUREF+/AN28/AERXD3/RA10	29	UREF+/CUREF+/AN28/AERXD3/RA10
AETXCLK/RPA14/SCL1/RA14	66	AETXCLK/RPA14/SCL1/RA14
AETXEN/RPA15/SDA1/RA15	67	AETXEN/RPA15/SDA1/RA15

IC1PA



IC1PB



chipKIT WiFire		Engineer: KRU
Copyright 2014, Digilent Inc.		Author: CLG/KRU
SHEET: PIC32 I/O		Rev: B.0
TITLE: chipKIT WiFire		Doc#: 500-302
Date: 03/18/2014	Sheet: 4/7	

PORT D		
EMDIO/AEMDIO/RPD0/RTCC/INT0/RD0	Z1	FMDIO/AEMDIO/RPD0/RTCC/INT0/RD0
RPD1/SCK1/RD1	Z6	RPD1/SCK1/RD1
EBID14/ETXEN/RPD2/PMD14/RD2	Z7	EBID14/ETXEN/RPD2/PMD14/RD2
EBID15/ETXCLK/RPD3/PMD15/RD3	Z8	EBID15/ETXCLK/RPD3/PMD15/RD3
SQICS0/RPD4/RD4	81	SQICS0/RPD4/RD4
SQICS1/RPD5/RD5	82	SQICS1/RPD5/RD5
EBIA15/RPD9/PMCS2/PMA15/RD9	68	EBIA15/RPD9/PMCS2/PMA15/RD9
RPD10/SCK4/RD10	69	RPD10/SCK4/RD10
EMDC/AEMDC/RPD11/RD11	Z0	EMDC/AEMDC/RPD11/RD11
EBID12/ETXD2/RPD12/PMD12/RD12	Z9	EBID12/ETXD2/RPD12/PMD12/RD12
EBID13/ETXD3/PMD13/RD13	80	EBID13/ETXD3/PMD13/RD13
AN32/AETXD0/RPD14/RD14	47	AN32/AETXD0/RPD14/RD14
AN33/AETXD1/RPD15/SCK6/RD15	48	AN33/AETXD1/RPD15/SCK6/RD15

IC1PD

PORT E		
EBID0/PMD0/RE0	91	EBID0/PMD0/RE0
EBID1/PMD1/RE1	94	EBID1/PMD1/RE1
EBID2/PMD2/RE2	98	EBID2/PMD2/RE2
EBID3/RPE3/PMD3/RE3	99	EBID3/RPE3/PMD3/RE3
EBID4/AN18/PMD4/RE4	100	EBID4/AN18/PMD4/RE4
EBID5/AN17/RPE5/PMD5/RE5	3	EBID5/AN17/RPE5/PMD5/RE5
EBID6/AN16/PMD6/RE6	4	EBID6/AN16/PMD6/RE6
EBID7/AN15/PMD7/RE7	5	EBID7/AN15/PMD7/RE7
AN25/AERXD0/RPE8/RE8	18	AN25/AERXD0/RPE8/RE8
AN26/AERXD1/RPE9/RE9	19	AN26/AERXD1/RPE9/RE9

IC1PE

PORT F		
EBID11/ETXD1/RPF0/PMD11/RF0	85	EBID11/ETXD1/RPF0/PMD11/RF0
EBID10/ETXD0/RPF1/PMD10/RF1	86	EBID10/ETXD0/RPF1/PMD10/RF1
EBIRDY3/RPF2/SDA3/RF2	57	EBIRDY3/RPF2/SDA3/RF2
USBID/RPF3/RF3	56	USBID/RPF3/RF3
EBIA9/RPF4/SDA5/PMA9/RF4	64	EBIA9/RPF4/SDA5/PMA9/RF4
EBIA8/RPF5/SCL5/PMA8/RF5	65	EBIA8/RPF5/SCL5/PMA8/RF5
EBIRDY2/RPF8/SCL3/RF8	58	EBIRDY2/RPF8/SCL3/RF8
TDO/EBIA17/AN31/RPF12/RF12	40	TDO/EBIA17/AN31/RPF12/RF12
TDI/EBIA18/AN30/RPF13/SCK5/RF13	39	TDI/EBIA18/AN30/RPF13/SCK5/RF13

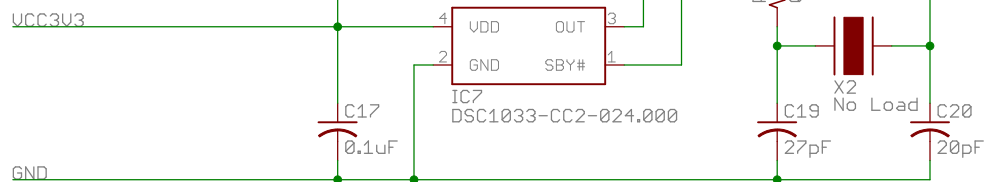
IC1PF

PORT G		
EBID8/RPG0/PMD8/RG0	88	EBID8/RPG0/PMD8/RG0
EBID9/ETXERR/RPG1/PMD9/RG1	87	EBID9/ETXERR/RPG1/PMD9/RG1
AN14/C1IND/ECOL/RPG6/SCK2/RG6	40	AN14/C1IND/ECOL/RPG6/SCK2/RG6
EBIA4/AN13/C1INC/ECRS/RPG7/SDA4/PMA4/RG7	41	EBIA4/AN13/C1INC/ECRS/RPG7/SDA4/PMA4/RG7
EBIA3/AN12/C2IND/ERXDU/ECRSDU/AERXDU/AFCRSDU/RPG8/SCL4/PMA3/RG8	42	EBIA3/AN12/C2IND/ERXDU/ECRSDU/AERXDU/AFCRSDU/RPG8/SCL4/PMA3/RG8
EBIA2/AN11/C2INC/ERXCLK/EREFCLK/RPG9/PMA2/RG9	46	EBIA2/AN11/C2INC/ERXCLK/EREFCLK/AERXCLK/AEREFCLK/RPG9/PMA2/RG9
TRD1/SQID1/RG12	96	TRD1/SQID1/RG12
TRD0/SQID0/RG13	97	TRD0/SQID0/RG13
TRD2/SQID2/RG14	95	TRD2/SQID2/RG14
AN23/AERXERR/RG15	4	AN23/AERXERR/RG15

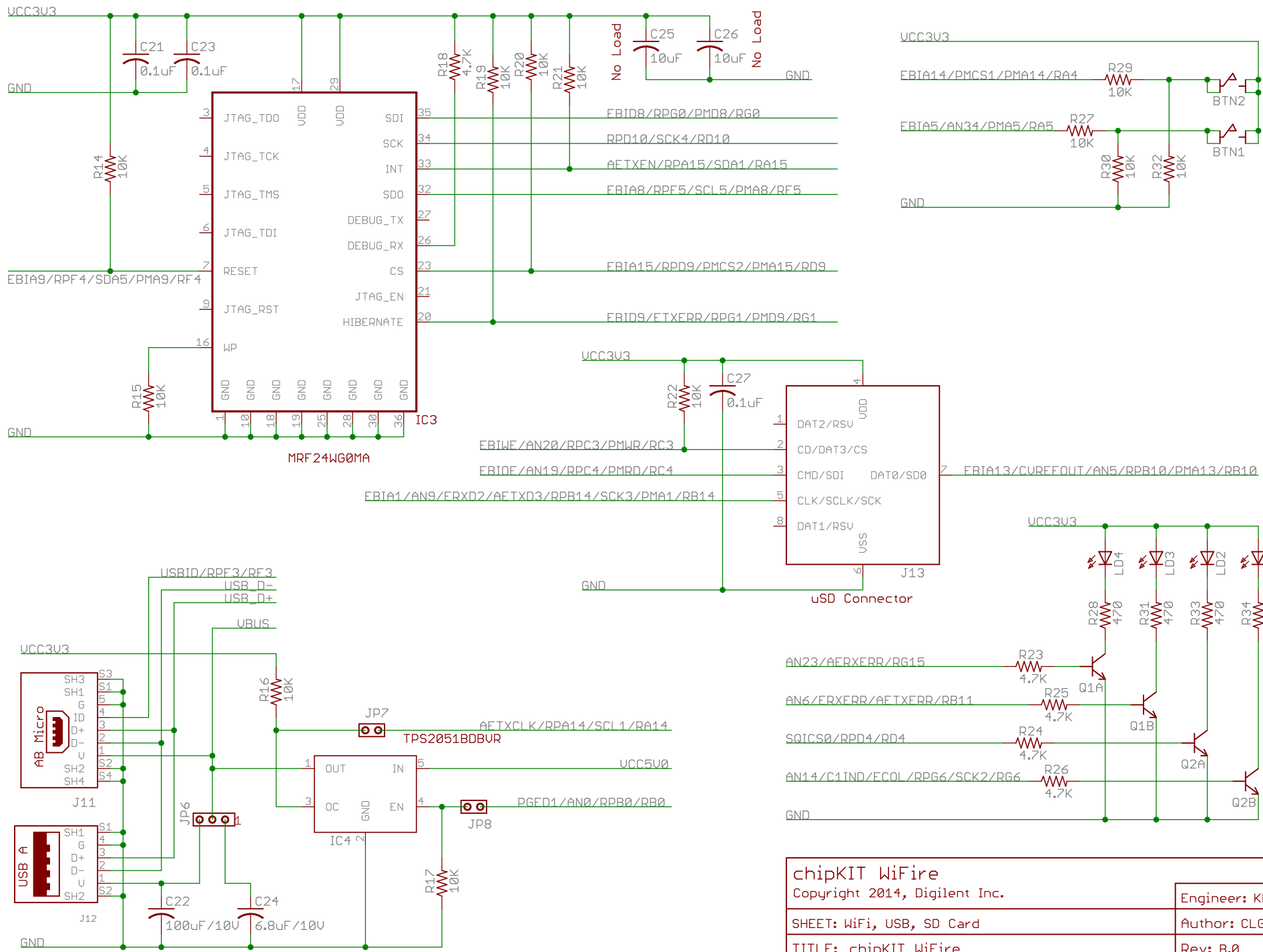
IC1PG

PORT C		
EBIA6/AN22/RPC1/PMA6/RC1	6	EBIA6/AN22/RPC1/PMA6/RC1
EBIA12/AN21/RPC2/PMA12/RC2	7	EBIA12/AN21/RPC2/PMA12/RC2
EBIWE/AN20/RPC3/PMWR/RC3	8	EBIWE/AN20/RPC3/PMWR/RC3
EBIOE/AN19/RPC4/PMRD/RC4	9	EBIOE/AN19/RPC4/PMRD/RC4
OSCI/CLK1/RC12	49	OSCI/CLK1/RC12
SOSCI/RPC13/RC13	72	SOSCI/RPC13/RC13
SOSCO/RPC14/T1CK/RC14	73	SOSCO/RPC14/T1CK/RC14
OSCO/CLK0/RC15	50	OSCO/CLK0/RC15

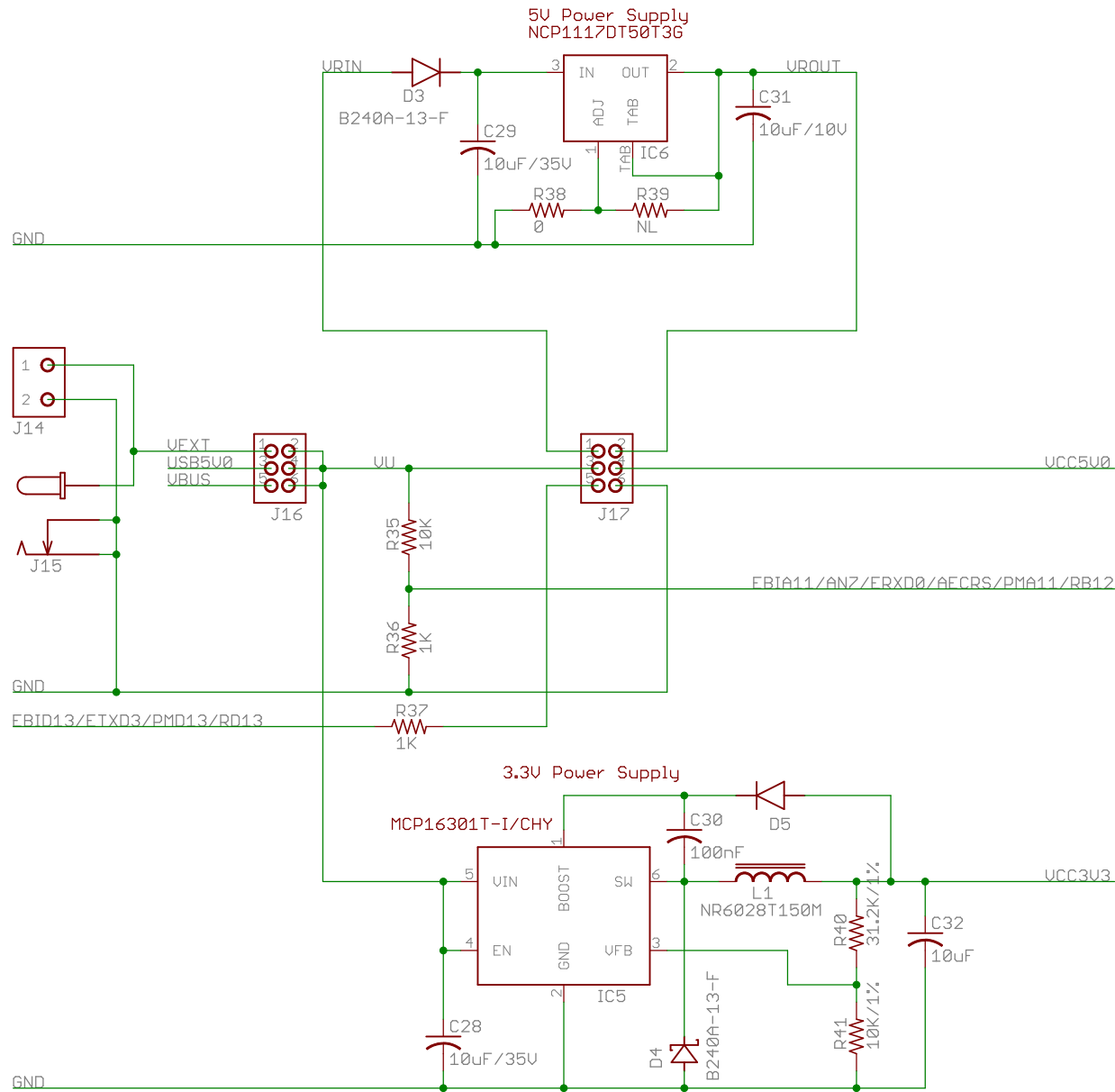
IC1PC



chipKIT WiFire		Engineer: KRU
Copyright 2014, Digilent Inc.		Author: CLG/KRU
SHEET: PIC32 I/O		Rev: B.0
TITLE: chipKIT WiFire		Doc#: 500-302
Date: 03/18/2014		Sheet: 5/7



chipKIT WiFire		Engineer: KRU
Copyright 2014, Digilent Inc.		Author: CLG/KRU
SHEET: WiFi, USB, SD Card		Rev: B.0
TITLE: chipKIT WiFire		Doc#: 500-302
Date: 03/18/2014	Sheet: 6/7	



chipKIT WiFire

Copyright 2014, Digilent Inc.

Engineer: KRU

SHEET: Power Supplies

Author: CLG/KRU

TITLE: chipKIT WiFire

Rev: B.0

Doc#: 500-302

Date: 03/18/2014

Sheet: 7/7