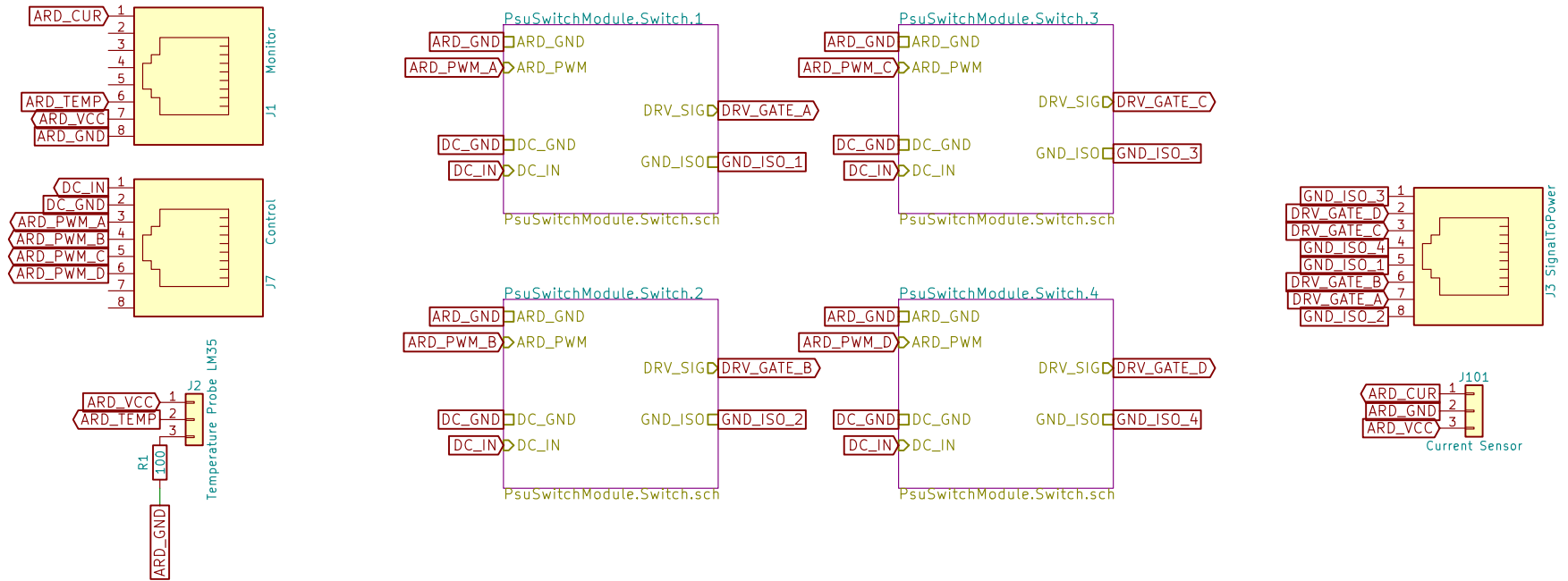


In the event there are 2 arduinos on the control board (one for driving, the other for monitoring) the runs for each should be kept on separate RJ45s for clarity.



The resistance is matched to the R value of the attached thermistor

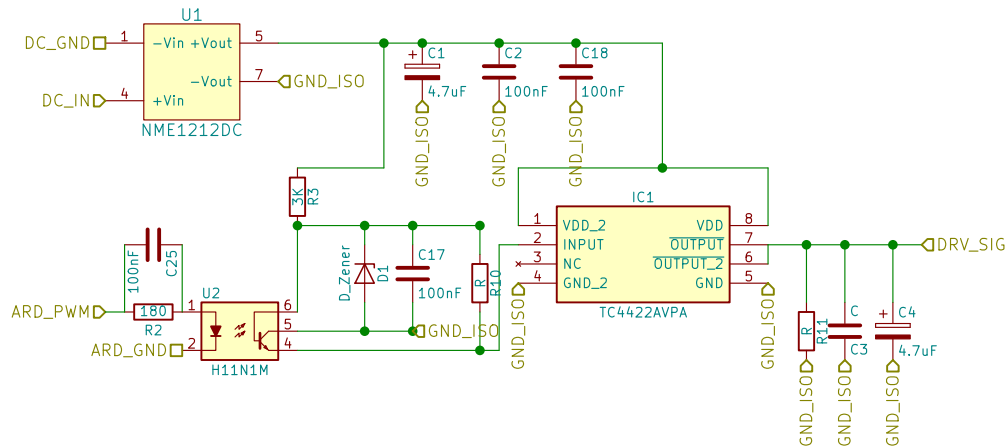
FOR REVIEW
Enertechnos Ltd

Sheet: /
File: PsuSwitchModule.sch

Title: Power Module (Control Board)

Size: A4 Date: 2017-12-14
KiCad E.D.A. kicad 4.0.7

Rev: Release 0.1
Id: 1/5



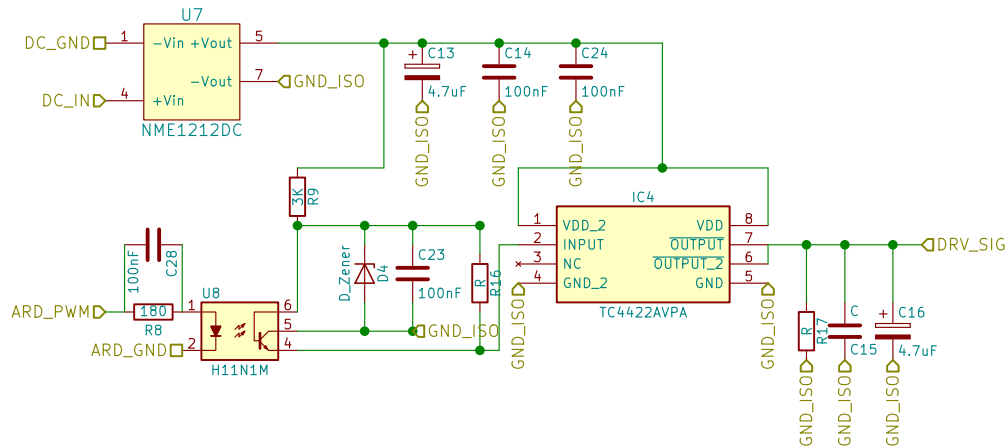
FOR REVIEW
Enertechnos Ltd

Sheet: /PswSwitchModule.Switch.1/
 File: PswSwitchModule.Switch.sch

Title: Power Module (Control Board)

Size: User Date: 2017-12-14
 KiCad E.D.A. kicad 4.0.7

Rev: Release 0.1
 Id: 2/5



FOR REVIEW
Enertechnos Ltd

Sheet: /PswSwitchModule.Switch.4/
 File: PswSwitchModule.Switch.sch

Title: Power Module (Control Board)

Size: User Date: 2017-12-14
 KiCad E.D.A. kicad 4.0.7

Rev: Release 0.1
 Id: 5/5