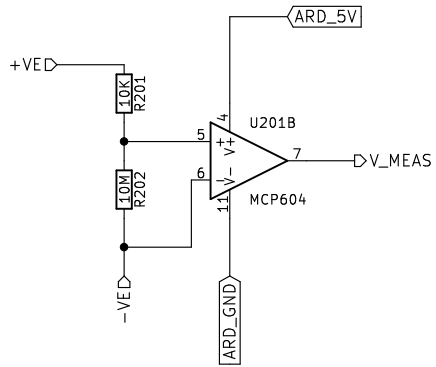


FOR REVIEW
Enertechnos Ltd
 Sheet: /
 File: Fuseboard.sch

Title: Fuseboard with Voltage metering

Size: A4 Date: 2017-12-12
 KiCad E.D.A. kicad 4.0.7

Rev: Rev 3.2
 Id: 1/11



Enertechnos Ltd

Sheet: /VoltMeter4/

File: VoltMeter.sch

Title: Fuseboard with Voltage metering

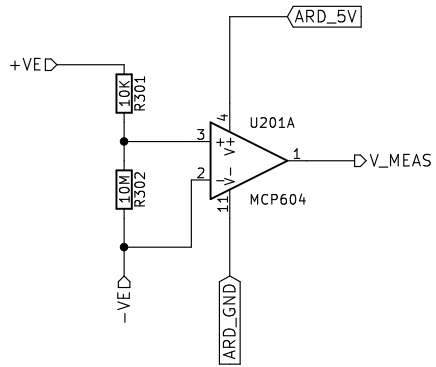
Size: A4

Date: 2017-12-12

Rev: Rev 3.2

KiCad E.D.A. kicad 4.0.7

Id: 2/11



Enertechnos Ltd

Sheet: /VoltMeter3/

File: VoltMeter.sch

Title: Fuseboard with Voltage metering

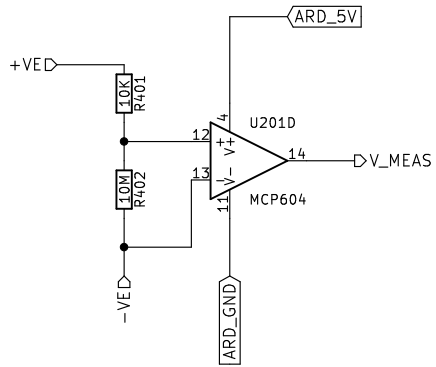
Size: A4

Date: 2017-12-12

Rev: Rev 3.2

KiCad E.D.A. kicad 4.0.7

Id: 3/11



Enertechnos Ltd

Sheet: /VoltMeter2/

File: VoltMeter.sch

Title: Fuseboard with Voltage metering

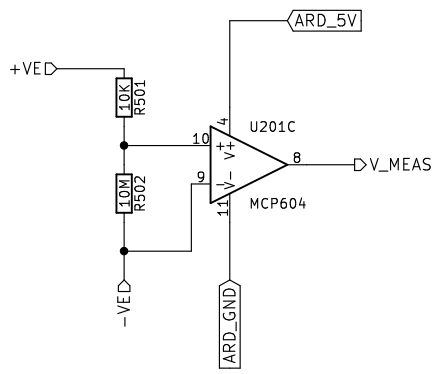
Size: A4

Date: 2017-12-12

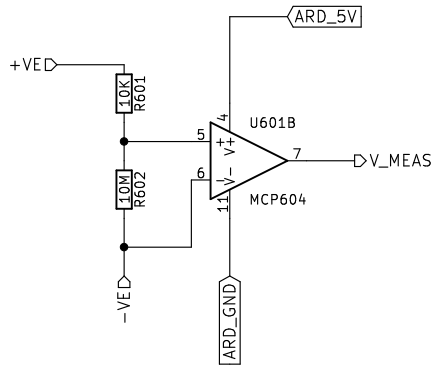
Rev: Rev 3.2

KiCad E.D.A. kicad 4.0.7

Id: 4/11



Enertechnos Ltd		
Sheet: /VoltMeter1/		
File: VoltMeter.sch		
Title: Fuseboard with Voltage metering		
Size: A4	Date: 2017-12-12	Rev: Rev 3.2
KiCad E.D.A. kicad 4.0.7		Id: 5/11



Enertechnos Ltd

Sheet: /VoltMeter8/

File: VoltMeter.sch

Title: Fuseboard with Voltage metering

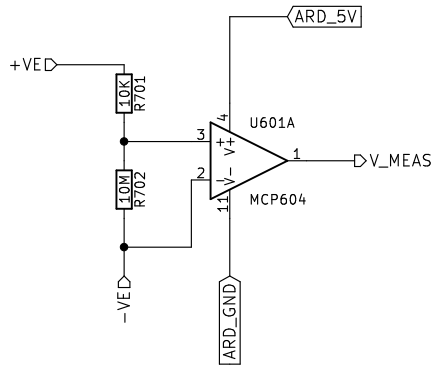
Size: A4

Date: 2017-12-12

Rev: Rev 3.2

KiCad E.D.A. kicad 4.0.7

Id: 6/11



Enertechnos Ltd

Sheet: /VoltMeter7/

File: VoltMeter.sch

Title: Fuseboard with Voltage metering

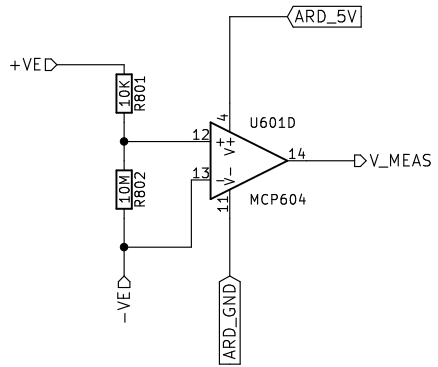
Size: A4

Date: 2017-12-12

Rev: Rev 3.2

KiCad E.D.A. kicad 4.0.7

Id: 7/11



Enertechnos Ltd

Sheet: /VoltMeter6/

File: VoltMeter.sch

Title: Fuseboard with Voltage metering

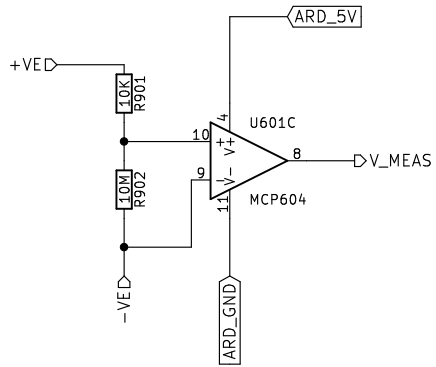
Size: A4

Date: 2017-12-12

Rev: Rev 3.2

KiCad E.D.A. kicad 4.0.7

Id: 8/11



Enertechnos Ltd

Sheet: /VoltMeter5/

File: VoltMeter.sch

Title: Fuseboard with Voltage metering

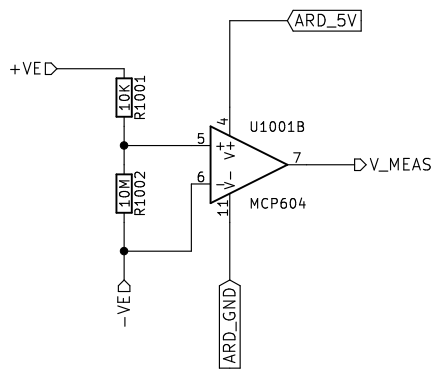
Size: A4

Date: 2017-12-12

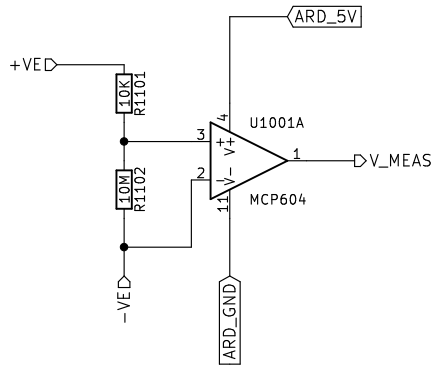
Rev: Rev 3.2

KiCad E.D.A. kicad 4.0.7

Id: 9/11



Enertechnos Ltd		
Sheet: /VoltMeter10/		
File: VoltMeter.sch		
Title: Fuseboard with Voltage metering		
Size: A4	Date: 2017-12-12	Rev: Rev 3.2
KiCad E.D.A. kicad 4.0.7		Id: 10/11



Enertechnos Ltd

Sheet: /VoltMeter9/

File: VoltMeter.sch

Title: Fuseboard with Voltage metering

Size: A4

Date: 2017-12-12

Rev: Rev 3.2

KiCad E.D.A. kicad 4.0.7

Id: 11/11