

FOR REVIEW

**Enertechnos Ltd**

Sheet: /SinglePowerSwitch 1/

File: SinglePowerSwitch.sch

**Title: MLI HBridge Power Board**

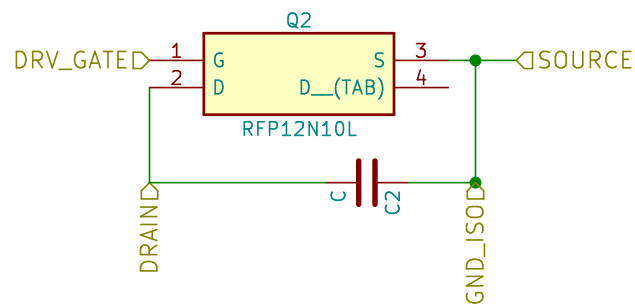
Size: User

Date: 2017-12-14

**Rev: Rev3.3**

KiCad E.D.A. kicad 4.0.7

Id: 2/5



FOR REVIEW

**Enertechnos Ltd**

Sheet: /SinglePowerSwitch 2/

File: SinglePowerSwitch.sch

**Title: MLI HBridge Power Board**

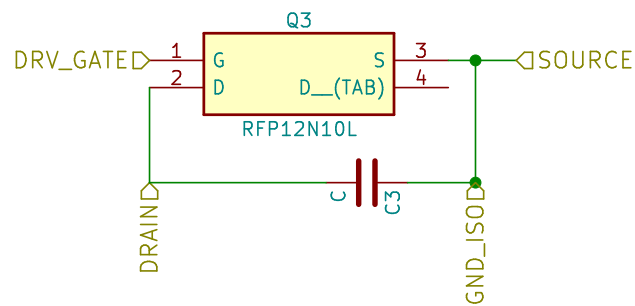
Size: User

Date: 2017-12-14

**Rev: Rev3.3**

KiCad E.D.A. kicad 4.0.7

Id: 3/5



FOR REVIEW

**Enertechnos Ltd**

Sheet: /SinglePowerSwitch 3/

File: SinglePowerSwitch.sch

**Title: MLI HBridge Power Board**

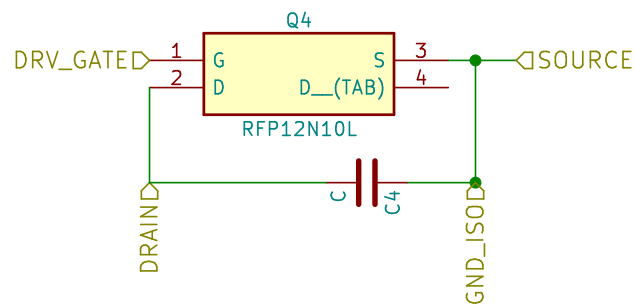
Size: User

Date: 2017-12-14

**Rev: Rev3.3**

KiCad E.D.A. kicad 4.0.7

Id: 4/5



FOR REVIEW

**Enertechnos Ltd**

Sheet: /SinglePowerSwitch 4/

File: SinglePowerSwitch.sch

**Title: MLI HBridge Power Board**

Size: User

Date: 2017-12-14

**Rev: Rev3.3**

KiCad E.D.A. kicad 4.0.7

Id: 5/5