

FOR REVIEW

**Enertechnos Ltd**

Sheet: /

File: Fuseboard.sch

**Title: Fuseboard with Voltage metering**

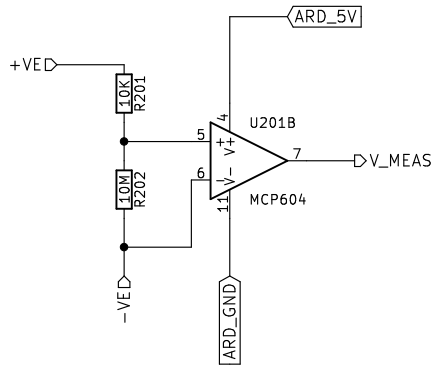
Size: A4

Date: 2017-12-12

**Rev: Rev 3.2**

KiCad E.D.A. kicad 4.0.7

Id: 1/9



**Enertechnos Ltd**

Sheet: /VoltMeter4/

File: VoltMeter.sch

**Title: Fuseboard with Voltage metering**

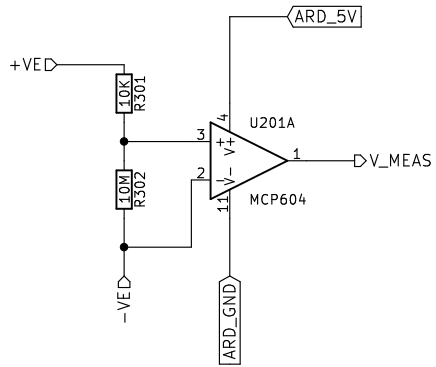
Size: A4

Date: 2017-12-12

Rev: Rev 3.2

KiCad E.D.A. kicad 4.0.7

Id: 2/9



**Enertechnos Ltd**

Sheet: /VoltMeter3/

File: VoltMeter.sch

**Title: Fuseboard with Voltage metering**

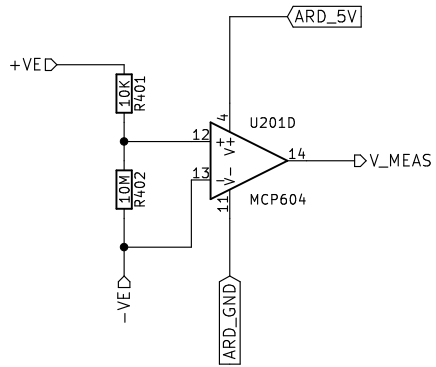
Size: A4

Date: 2017-12-12

**Rev: Rev 3.2**

KiCad E.D.A. kicad 4.0.7

Id: 3/9



**Enertechnos Ltd**

Sheet: /VoltMeter2/

File: VoltMeter.sch

**Title: Fuseboard with Voltage metering**

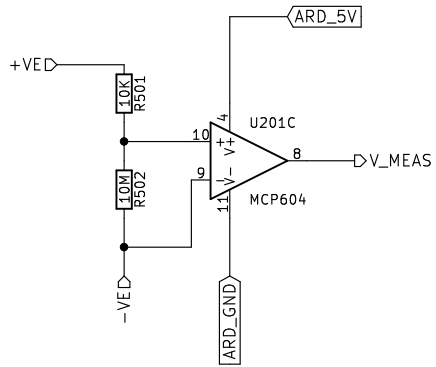
Size: A4

Date: 2017-12-12

**Rev: Rev 3.2**

KiCad E.D.A. kicad 4.0.7

Id: 4/9



**Enertechnos Ltd**

Sheet: /VoltMeter1/

File: VoltMeter.sch

**Title: Fuseboard with Voltage metering**

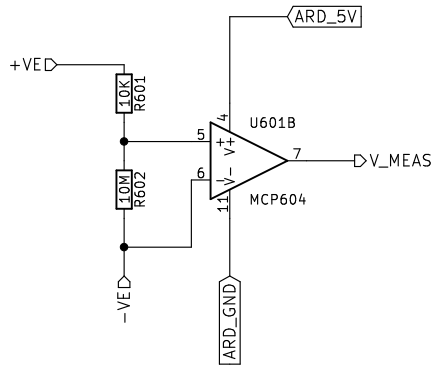
Size: A4

Date: 2017-12-12

**Rev: Rev 3.2**

KiCad E.D.A. kicad 4.0.7

Id: 5/9



**Enertechnos Ltd**

Sheet: /VoltMeter8/

File: VoltMeter.sch

**Title: Fuseboard with Voltage metering**

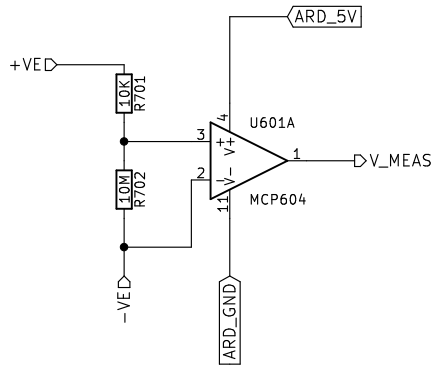
Size: A4

Date: 2017-12-12

**Rev: Rev 3.2**

KiCad E.D.A. kicad 4.0.7

Id: 6/9



**Enertechnos Ltd**

Sheet: /VoltMeter7/

File: VoltMeter.sch

**Title: Fuseboard with Voltage metering**

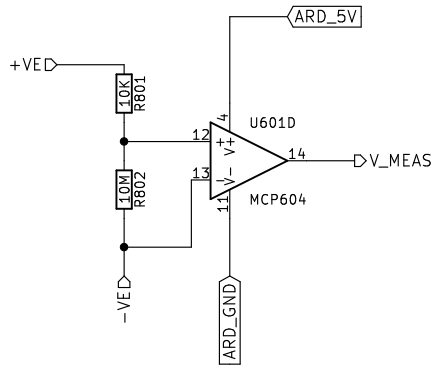
Size: A4

Date: 2017-12-12

**Rev: Rev 3.2**

KiCad E.D.A. kicad 4.0.7

Id: 7/9



**Enertechnos Ltd**

Sheet: /VoltMeter6/

File: VoltMeter.sch

**Title: Fuseboard with Voltage metering**

Size: A4

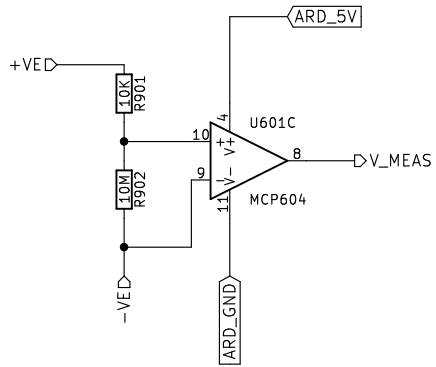
Date: 2017-12-12

**Rev: Rev 3.2**

KiCad E.D.A. kicad 4.0.7

Id: 8/9





**Enertechnos Ltd**

Sheet: /VoltMeter5/

File: VoltMeter.sch

**Title: Fuseboard with Voltage metering**

Size: A4

Date: 2017-12-12

**Rev: Rev 3.2**

KiCad E.D.A. kicad 4.0.7

Id: 9/9